

Ralco

X-RAY COLLIMATORS



Value, Quality and Experience



R 72 S

Single layer, square field, manual collimation system with a lightweight and compact design intended for installation on portable X-ray equipment. This device has been designed and manufactured for skeletal and articular investigations of all body areas.

This model includes the following standard features:

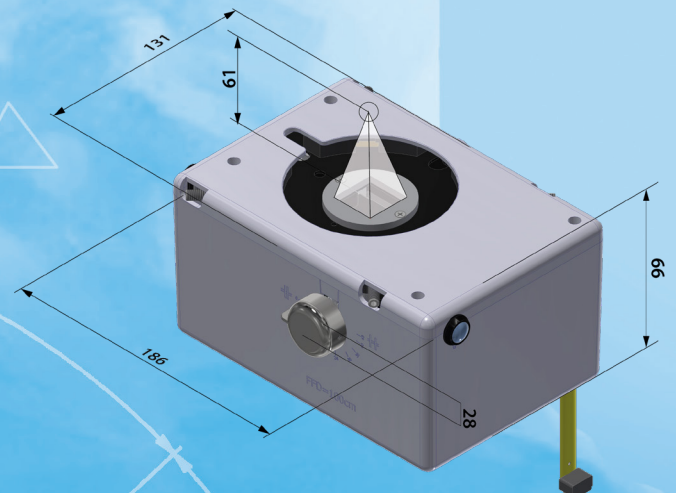
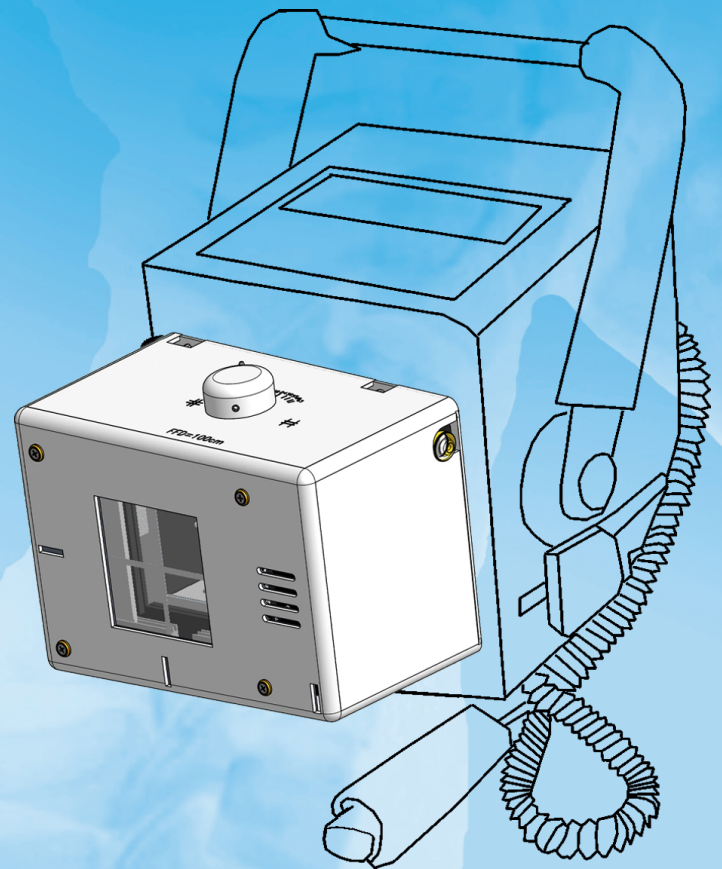
- Maximum Radiation Leakage: 125 kVp - 4 mA
- Single Layer Square Field: 0x0 cm to 43x43 cm at 100 cm SID
- Minimum Inherent Filtration: 2 mm Al equivalent
- Additional Variable Filtration (on request)
- White LED
- Dimensions: 191x132x102 mm
- Weight: 4 Kg
- 2 Pairs of Shutters
- Color Customizations and Many Other Personalization Options Available

R 72 S

TECHNICAL FEATURES

Application	Portable X-Ray Equipment		
Mode of Operation	Manual		
Power Supply	24 V AC/DC - 2 A		
cCSAUs and DHHS Certification	◆		
Mounting Plane	Standard: 61 mm		
	Customized		◆
Leakage Radiation	125 kVp - 4 mA		✓
	150 kVp - 4 mA		✗
Field Type	Square Field	With Potentiometer	✗
		Without Potentiometer	✓
	Round Field		✗
Minimum Inherent Filtration	2 mm Al equivalent		✓
	1 mm Al equivalent		◆
	Customized		✗
Additional Variable Filtration	Manual		◆
	Motorized		✗
Light Source	LED		✓
	Halogen Lamp		✗
	No Light		✗
SID Measurement	Electronic		✗
	Retractable Tape Measure		✓
Image Receptor Alignment	Centering Light		✗
	Single Laser	Class I	◆
		Class II	◆
	Double Laser	Class I	◆
		Class II	◆
Flanges and Spacers	Iron mounting flange spacers: 1.5 thickness		◆
	Fixed	Metal	◆
		Resin	✗
	Rotating	Metal	◆
Resin		✗	
Collimator Mounting Method	Manual Alignment with Metal Flange		✓
	Automatic Centering with Metal Flange		✗
	Automatic Centering with Resin Flange		✗
	Customized Attachment		◆
User Interface	CAN-Bus		✗
	CAN-Open		✗
Patient Monitoring Camera			✗
Proximity Sensor			✗

✓ Standard ◆ Optional ✗ Not Available



HEAD OFFICE

Via Dei Tigli 13G
20853 BIASSONO (MB)
ITALY
Tel. 0039 039 24 979 25
FAX 0039 039 24 977 99
Email: ralco@ralco.it
www.ralco.it
Skype: [ralco_s.r.l.](https://www.skype.com/user/ralco_s.r.l)

AMERICAN OFFICE

4970 Robert J. Mathews Pkwy #180
El Dorado Hills, CA 95762
USA
Tel. 001 916 990 5172
Email: info@ralcousa.com
www.ralcousa.com
Skype: [ralcousa](https://www.skype.com/user/ralcousa)

CUSTOM MODELS ON REQUEST

DR R 72 S Rev. B - MRD/003/23