

Ralco

X-RAY COLLIMATORS



R 11

Single layer, square/rectangular field, automatic collimation system with independent shutter control intended for installation on dental radiological equipment.

This device has been designed and manufactured for dental investigations.

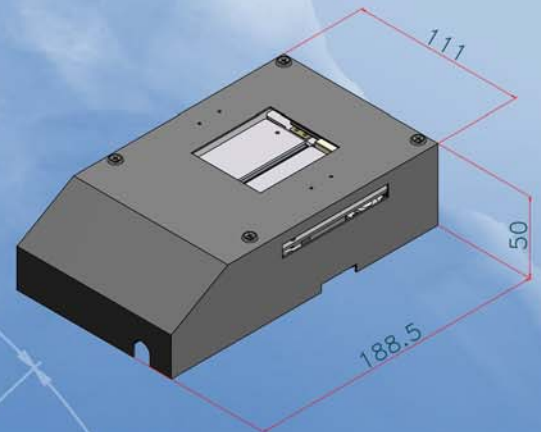
This model includes the following standard features:

- Maximum Radiation Leakage: 90 kVp - 4 mA
- Single Layer Square/Rectangular Field: 0x0 cm to 30x30 cm at 65 cm SID
- Minimum Inherent Filtration: 0.2 mm Al equivalent
- Laser Field Size Simulation
- Dimensions: 188.5x111x50 mm
- Weight: 4.2 Kg
- 4 Independent Lead Shutters
- CanBus Protocol
- Many Options for Personalization Available

R 11

TECHNICAL FEATURES

✓ Standard	● Optional	— Not Available	
Maximum Radiation Leakage	90 kVp - 4 mA	✓	
	150 kVp - 4 mA	—	
Field Type	Square Field	With Potentiometer Without Potentiometer	— ✓
	Round Field		—
Additional Variable Filtration	Manual		—
	Motorized		—
Light Source	Halogen Lamp		—
	LED		—
	No Light		✓
SID Measurement	Electronic		—
	Retractable Tape Measure		—
Image Receptor Alignment	Centering Light		—
	Single Laser		✓
	Double Laser		—
Mounting of DAP Chamber	Internal		—
	External		—
Flange	Plastic	Free Rotation	—
		50°	—
		90°	—
		120°	—
	Metal	Fixed	✓
		Rotating (90° stop)	—
Minimum Inherent Filtration	0.2 mm Al equivalent		✓
	1 mm Al equivalent		—
	2 mm Al equivalent		—
Patient Monitoring Camera	Yes		—
	No		✓
cCSAUs and DHHS Certification	Yes		—
	No		✓
Alignment to Focus	Manual Alignment with Metal Flange		—
	Automatic Centering with Metal Flange		✓
	Automatic Centering with Plastic Flange		—
	Siemens Attachment		—
Proximity Sensor	Yes		—
	No		✓
User Interface	CAN-Bus Interface		✓
	CAN-Open Interface		—



Head Office
 via Dei Tigli 13G
 20853 BIASSONO (MB)
 ITALY
 Tel. 0039 039 24 979 25
 FAX 0039 039 24 977 99
 Email: ralco@ralco.it
www.ralco.it
 Skype: [ralco_s.r.l.](https://www.skype.com/partners/ralco_s.r.l)

American Office
 4970 Robert J. Mathews Pkwy #180
 El Dorado Hills, CA 95762
 USA
 Tel. 001.916.990.5172
 Email: info@ralcousa.com
www.ralcousa.com
 Skype: [ralcousa](https://www.skype.com/partners/ralcousa)

CUSTOM MODELS ON REQUEST