

# Ralco

X-RAY COLLIMATORS



Value, Quality and Experience



## R 225

**Multilayer, square field, manual collimation system intended for installation on stationary X-ray equipment. This device has been designed and manufactured for skeletal and thoracic investigations.**

**This model includes the following standard features:**

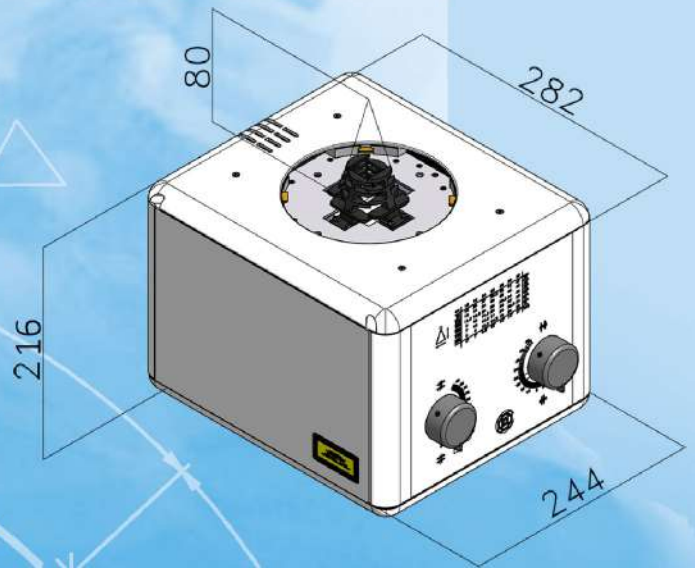
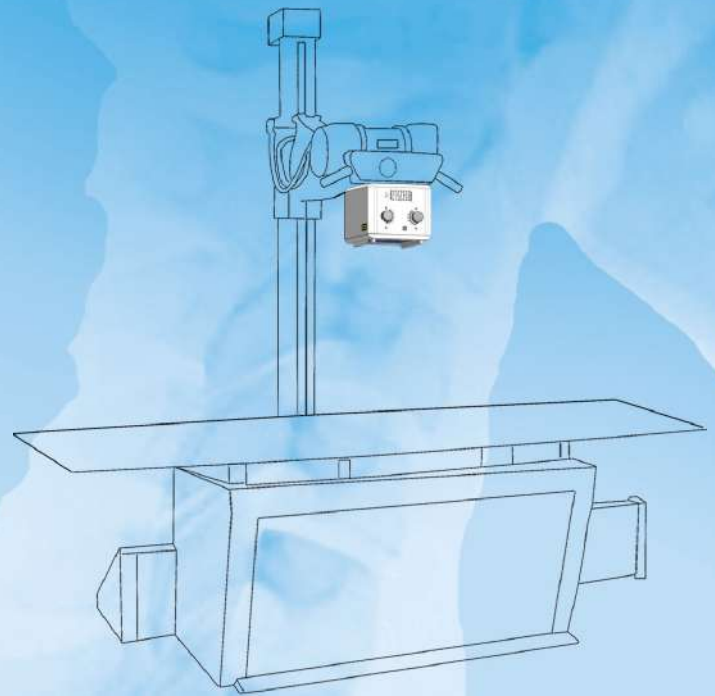
- Maximum Radiation Leakage: 150 kVp - 4 mA
- Multilayer Square Field: 0x0 cm to 48x48 cm at 100 cm SID
- Minimum Inherent Filtration: 2 mm Al equivalent
- Additional Variable Filtration (on request)
- White LED
- Dimensions: 282x244x216 mm
- Weight: 9.8 Kg
- 6 Pairs of Shutters
- Accessory Guide Rails
- Color Customizations and Many Other Personalization Options Available

# R 225

## TECHNICAL FEATURES

Application	Ceiling Suspension and Tube Stand X-Ray Equipment		
Mode of Operation	Manual		
Power Supply	24 V AC/DC - 2 A		
cCSAUs and DHHS Certification	◆		
Mounting Plane	Standard: 80 mm		
	Customized		×
Leakage Radiation	125 kVp - 4 mA		×
	150 kVp - 4 mA		✓
Field Type	Square Field	With Potentiometer	◆
		Without Potentiometer	✓
	Round Field		×
Minimum Inherent Filtration	2 mm Al equivalent		✓
	1 mm Al equivalent		◆
	0.3 mm Al equivalent		◆
Additional Variable Filtration	Manual		◆
	Motorized		×
Light Source	LED		✓
	Halogen Lamp		×
	No Light		×
SID Measurement	Electronic		×
	Retractable Tape Measure		◆
Image Receptor Alignment	Centering Light		◆
	Single Laser	Class I	◆
		Class II	◆
	Double Laser	Class I	◆
		Class II	◆
Flanges and Spacers	Iron mounting flange spacers: 1.5 thickness		◆
	Fixed	Metal	×
		Resin	×
	Rotating	Metal	◆
		Resin	✓
Collimator Mounting Method	Manual Alignment with Metal Flange		◆
	Automatic Centering with Metal Flange		◆
	Automatic Centering with Resin Flange		◆
	Customized Attachment		◆
User Interface	CAN-Bus		×
	CAN-Open		×
Patient Monitoring Camera	◆		
Asymmetric Longitudinal Shutters	◆		

✓ Standard    ◆ Optional    × Not Available



### HEAD OFFICE

Via Dei Tigli 13G  
20853 BIASSONO (MB)  
ITALY  
Tel. 0039 039 24 979 25  
FAX 0039 039 24 977 99  
Email: [ralco@ralco.it](mailto:ralco@ralco.it)  
[www.ralco.it](http://www.ralco.it)  
Skype: [ralco\\_s.r.l.](https://www.skype.com/name/ralco_s.r.l)

### AMERICAN OFFICE

4970 Robert J. Mathews Pkwy #180  
El Dorado Hills, CA 95762  
USA  
Tel. 001 916 990 5172  
Email: [info@ralcousa.com](mailto:info@ralcousa.com)  
[www.ralcousa.com](http://www.ralcousa.com)  
Skype: [ralcousa](https://www.skype.com/name/ralcousa)

**CUSTOM MODELS ON REQUEST**

DR R 225 Rev. A - ACD 012/21