

# Ralco

X-RAY COLLIMATORS



Value, Quality and Experience



## R 302 MLP/A

**Multilayer, square field, collimation system with motorized shutter positioning controlled by potentiometer intended for installation on stationary X-ray equipment. This device has been designed and manufactured for skeletal, gastrointestinal, urographic and thoracic investigations.**

**This model includes the following standard features:**

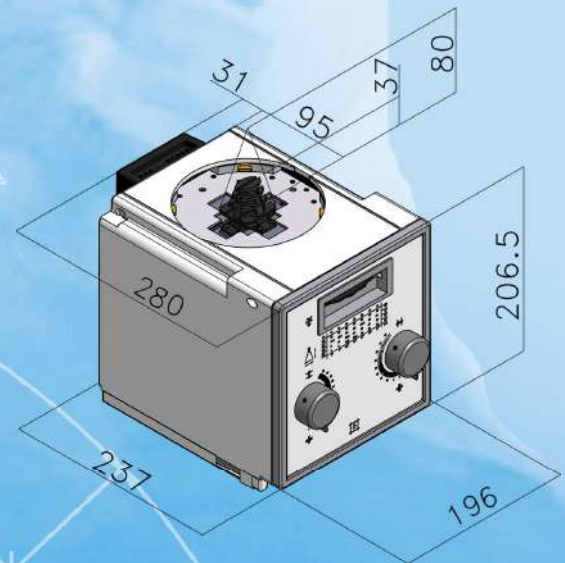
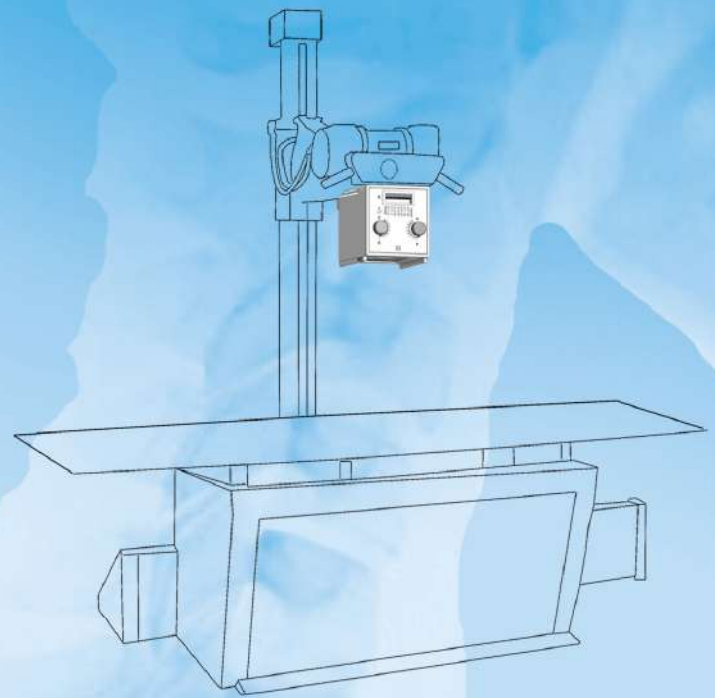
- Maximum Radiation Leakage: 150 kVp - 4 mA
- Multilayer Square Field: 0x0 cm to 48x48 cm at 100 cm SID
- Minimum Inherent Filtration: 2 mm Al equivalent
- Additional Variable Filtration (on request)
- White LED
- Dimensions: 280x196x206.5 mm
- Weight: 9.5 Kg
- 6 Pairs of Shutters
- Color Customizations and Many Other Personalization Options Available

# R 302 MLP/A

## TECHNICAL FEATURES

Application	Remote Control, Tilting, Ceiling Suspension and Tube Stand X-Ray Equipment		
Mode of Operation	Motorized		
Power Supply	24 V AC/DC - 2 A		
cCSAUs and DHHS Certification	◆		
Mounting Plane	Standard: 80 mm		
	Customized	✕	
Leakage Radiation	125 kVp - 4 mA	✕	
	150 kVp - 4 mA	✓	
Field Type	Square Field	With Potentiometer	✓
		Without Potentiometer	◆
	Round Field		◆
Minimum Inherent Filtration	2 mm Al equivalent	✓	
	1 mm Al equivalent	◆	
	0.3 mm Al equivalent	◆	
Additional Variable Filtration	Manual	◆	
	Automatic	◆	
Light Source	LED	✓	
	Halogen Lamp	◆	
	No Light	◆	
SID Measurement	Electronic	✕	
	Retractable Tape Measure	◆	
Image Receptor Alignment	Centering Light		◆
	Single Laser	Class I	◆
		Class II	◆
	Double Laser	Class I	◆
		Class II	◆
Flanges and Spacers	Iron mounting flange spacers: 1.5 mm thickness		◆
	Fixed	Metal	◆
		Resin	✕
	Rotating	Metal	◆
		Resin	◆
Collimator Mounting Method	Manual Alignment with Metal Flange		✓
	Automatic Centering with Metal Flange		◆
	Automatic Centering with Resin Flange		◆
	Customized Attachment		◆
User Interface	CAN-Bus		✕
	CAN-Open		✕
Patient Monitoring Camera			◆

✓ Standard    ◆ Optional    ✕ Not Available



### HEAD OFFICE

Via Dei Tigli 13G  
20853 BIASSONO (MB)  
ITALY  
Tel. 0039 039 24 979 25  
FAX 0039 039 24 977 99  
Email: [ralco@ralco.it](mailto:ralco@ralco.it)  
[www.ralco.it](http://www.ralco.it)  
Skype: [ralco\\_s.r.l.](https://www.skype.com/en/contacts/business/italy/ralco_s.r.l.)

### AMERICAN OFFICE

4970 Robert J. Mathews Pkwy #180  
El Dorado Hills, CA 95762  
USA  
Tel. 001 916 990 5172  
Email: [info@ralcousa.com](mailto:info@ralcousa.com)  
[www.ralcousa.com](http://www.ralcousa.com)  
Skype: [ralcousa](https://www.skype.com/en/contacts/business/usa/ralcousa)

**CUSTOM MODELS ON REQUEST**

DR R 302 MLP/A Rev. A - ACD 012/21